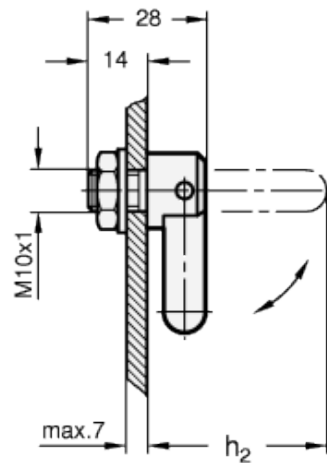
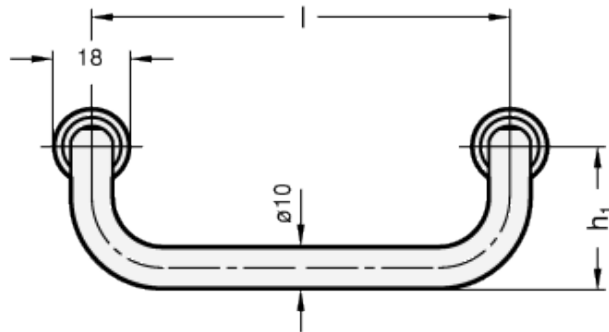


GN 425.2-NI

Folding handles



INOX
Stainless Steel



technical informations

Material

AISI 303 stainless steel NI, sandblasted matte finish.

Assembly

Back mounting by means of two ISO 8675-M10x1 AISI 304 stainless steel hexagon nuts and DIN 125 AISI 304 stainless steel washers.

Stop spring

To keep the handle open or folded back.

Features

GN 425.2-NI folding handles are particularly suitable where minimal protrusion is required.

Standard Elements	Main dimensions			Weight
Description	$l \pm 0.25$	h_1	h_2	g
GN 425.2-100-NI	100	34	43	152
GN 425.2-120-NI	120	34	43	162
GN 425.2-180-NI	180	34	43	200



STANDARD MACHINE ELEMENTS WORLDWIDE